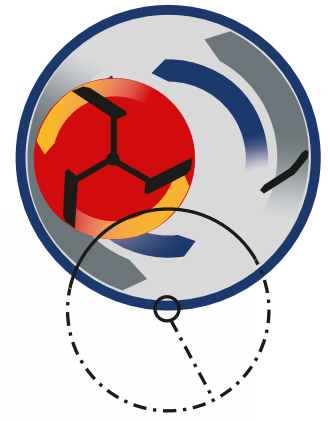


Haarup Mixer Standard Type VM750

Modstrømsblander
Counterflow Mixer
Gegenstrommischer



Haarup

Haarup North America, Inc.
12695 NE Marx Street · Building #12
Portland, OR 97230

Tel.: +1 503-954-1718 · Fax: +1 503-206-8892

HaarupNA@haarup.com · www.haarup.com

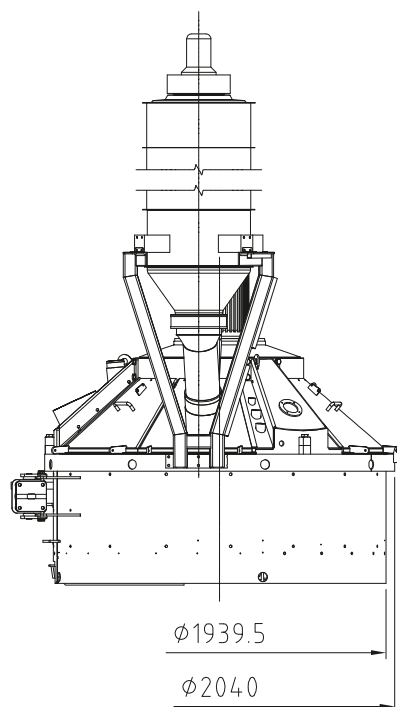
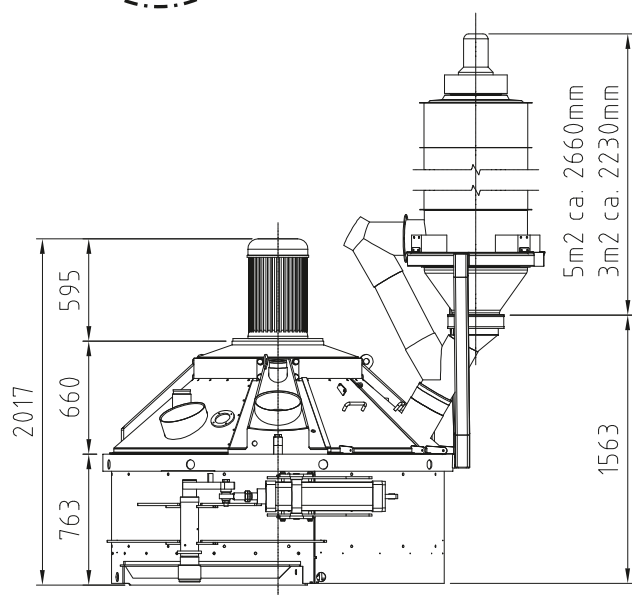
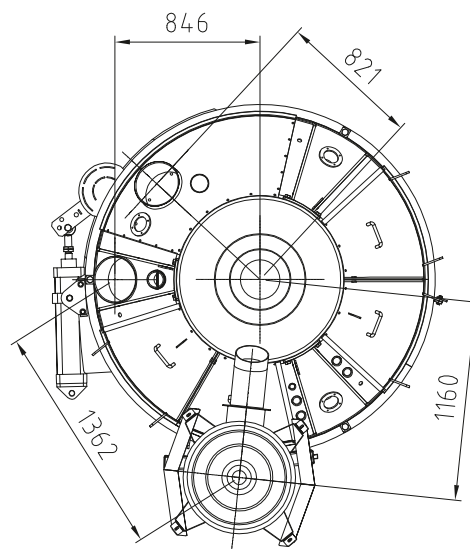
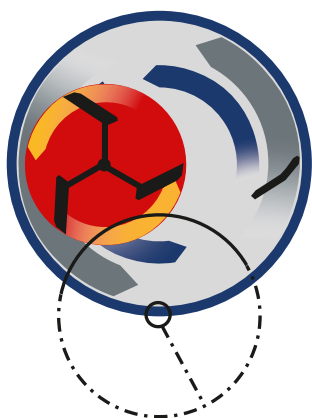
Haarup Maskinfabrik A/S
Haarupvej 20 · DK-8600 Silkeborg

Tel.: +45 86 84 62 55 · Fax: +45 86 84 53 77

haarup@haarup.dk · www.haarup.dk
www.haarup.de

Haarup Mixer Standard Type VM750

Modstrømsblander
Counterflow Mixer
Gegenstrommischer



Blander		Mixer		Mischer		VM750
Max. ifyldte råmaterialer	(l) (kg) (Lbs)	Max. Input raw materials	(litre) (kg) (Lbs)	Max. Gesamtfüllung	(l) (kg) (Lbs)	750 1200 2645
Færdig betonmængde jordfugtig beton	(l) (yd ³)	Capacity Semi-dry concrete	(litre) (yd ³)	Fertige Betonmenge erdfuchter Beton	(l) (yd ³)	500 0,65
Motoreffekt (kW)/(hp)		Power (kW)/(hp)		Motorleistung (kW)/(hp)		22/30
Egenvægt (kg)		Own weight (kg)		Eigengewicht in (kg)		3100